

WORKHOLDING PROMO

TELESENSE 125 // 5-AXIS MACHINING



DNT-2024-14



WORKHOLDING • INDEXABLE MILLING • POWER TOOLS



Upgrade to TeleSense 125 – modern vises purpose-built for your 5-axis applications.

- › Compact design for maximum workpiece access
- › 40 kN clamping force at just 50 Nm torque thanks to force amplifier
- › Quick-change jaws and fully encapsulated spindle
- › Clamp both raw and pre-machined parts

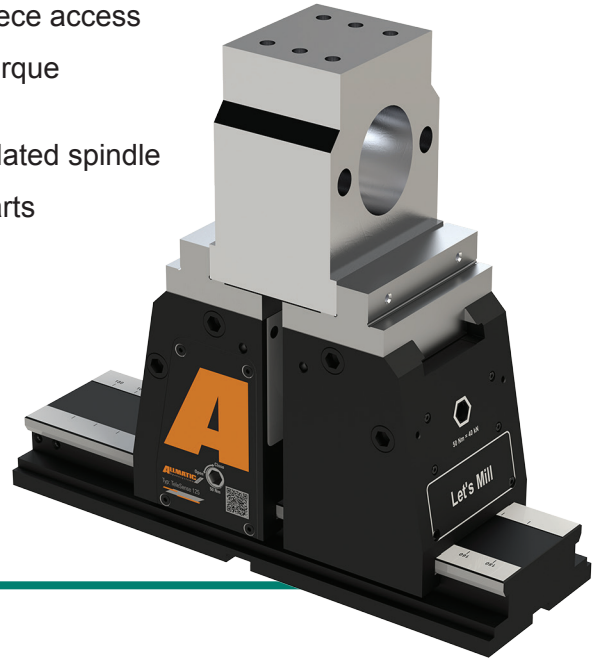
10% OFF

Only 50 units available!

Use promo code PRO-TELE125



Get detailed product info



Choose from two starter sets:

TELESENSE 125

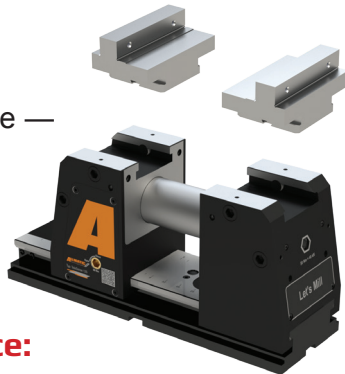
EDP # 11000080

1x TeleSense 125 high-pressure vise — 186mm height

2x Quick-change stepped jaws

~~List Price: \$6098~~

PROMO List Price: \$5,488



TELESENSE 125 COMPACT

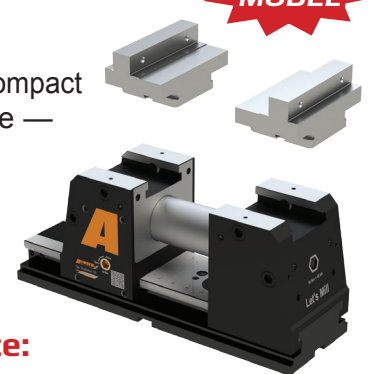
EDP # 11000079

1x TeleSense 125 Compact high-pressure vise — 165mm height

2x Quick-change stepped jaws

~~List Price: \$6098~~

PROMO List Price: \$5,488



Promo ends 2/28/2025, while supplies last. Subject to change without notice. See dapra.com/promos for additional terms.



Medical



Aerospace



Automotive



Rail



Oil and Gas



Steel



Stainless



Iron



Face



Shoulder



2D Profile



3D Profile



Die & Mold



Power Generation



Heavy Industry



General Engineering



Firearms



Non-Ferrous



Super Alloys



Hardened



Slot



Chamfer



Hole



Pocket



DAPRA NEXT TECHNOLOGY

www.DAPRA.COM/PROMOS

(800) 243-3344

info@dapra.com

WORKHOLDING PROMO

TELESENSE 125 // 5-AXIS MACHINING

ALLMATIC
Spannsysteme PRO

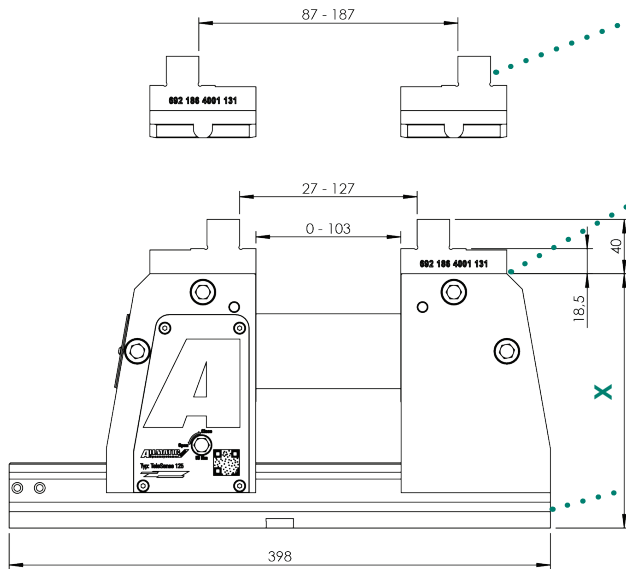
DNT-2024-14

DAPRA

WORKHOLDING • INDEXABLE MILLING • POWER TOOLS



TeleSense 125 Series Vises — Made in Germany by ALLMATIC



Extendable clamping range

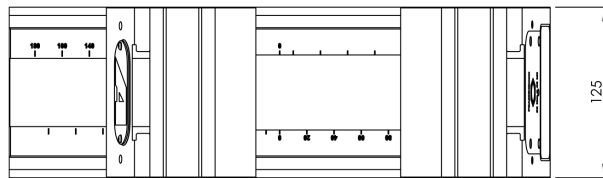
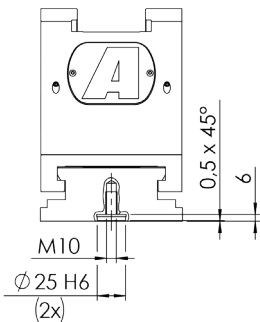
With an extension of 75mm — up to 672mm total with longer or second extension rail.

Access to 25 different jaws

Smooth, gripper, and pull-down jaws — installed directly or with an adapter.

Version	Height	EDP
TeleSense 125	186mm	11000080
TeleSense 125 Compact	165mm	11000079

Extension rails can be retrofitted modularly 500mm and 600mm lengths coming soon.



Get detailed product info

Also available: TeleSense 125 Connect

NOT ELIGIBLE FOR THIS PROMOTION.

- › Includes an integrated wireless clamping force monitoring system
- › Fluctuations in the clamping force are immediately visible on the vise display and are transmitted wirelessly to a phone, computer, or monitoring system
- › Great for lights-out applications, automation, and production shops
- › TeleSense 125 can be retrofitted with a monitoring unit; not compatible with Compact model

